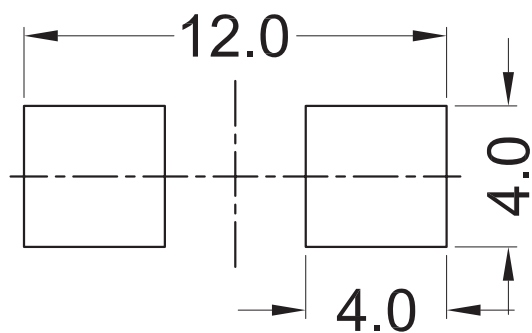
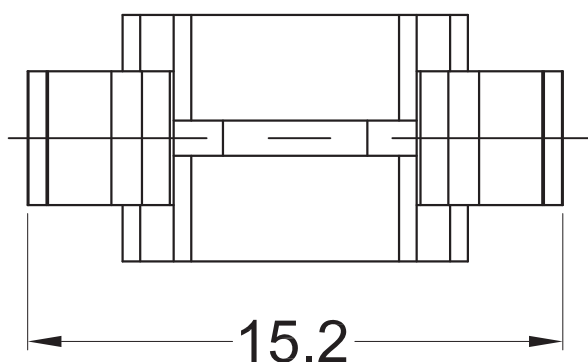


Hole



Hole Tolerance: ±0.08



NOTES:

1. Material : see table;
2. Color: Natural;
3. RoHS Compliant;
4. Panel Thickness: 1.0±1.2 mm
5. Max Cable: 6.35 mm



VIA C. COLLODI, 4/I
40012 CALDERARA DI RENO (BO) - ITALY
TEL. (+39) 051 6465211 - FAX (+39) 051 6465251
sales@fittings.it - www.fittings.it

						DATE	16/04/2018	Dimension		Tolerance	
						SCALE	FIT	L ≤ 4		± 0.10	
TITLE	FCCE	MOLD-NO.	S0861	DRAW	ZHR	UNIT	MM	4 < L ≤ 15		± 0.20	
PART NO.	9F60791	MAT.	SEE TABLE	DESIGN	ZHR	REV.	A0	15 < L ≤ 50		± 0.30	
DWG NO.	E6244	COLOR	SEE NOTES	APPR.	FDL	VIEW		50 < L ≤ 100		± 0.40	