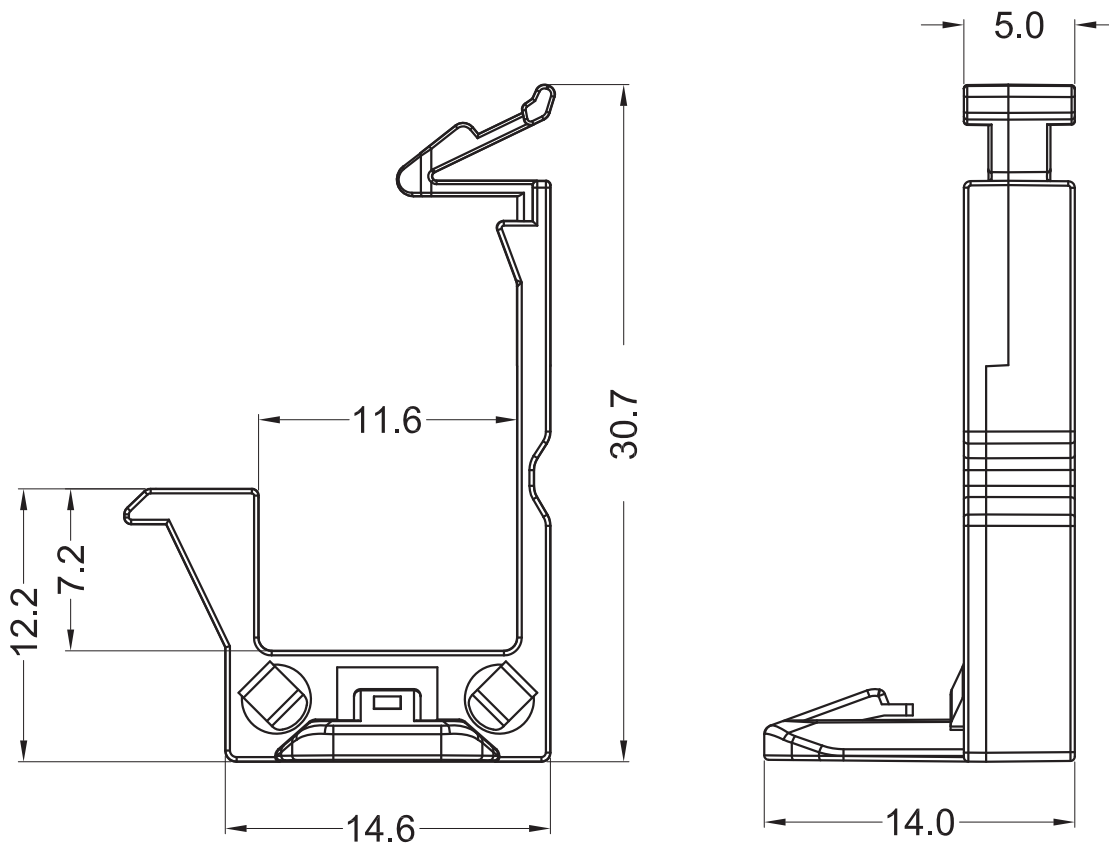


Mounting hole dimensions



NOTES:

1. Material : Nylon 66 UL94 V0;
2. Color: Natural;
3. RoHS Compliant;



VIA C. COLLODI, 4/I  
 40012 CALDERARA DI RENO (BO) - ITALY  
 TEL. (+39) 051 6465211 - FAX (+39) 051 6465251  
 sales@fittings.it - www.fittings.it

|          |         |          |           |        |     | DATE  | 16/04/2018 | Dimension    |  | Tolerance |  |
|----------|---------|----------|-----------|--------|-----|-------|------------|--------------|--|-----------|--|
|          |         |          |           |        |     | SCALE | FIT        | L ≤ 4        |  | ± 0.10    |  |
| TITLE    | SMWS    | MOLD-NO. | S0857     | DRAW   | ZHR | UNIT  | MM         | 4 < L ≤ 15   |  | ± 0.20    |  |
| PART NO. | 9F60788 | MAT.     | SEE NOTES | DESIGN | ZHR | REV.  | A0         | 15 < L ≤ 50  |  | ± 0.30    |  |
| DWG NO.  | E6242   | COLOR    | SEE NOTES | APPR.  | FDL | VIEW  |            | 50 < L ≤ 100 |  | ± 0.40    |  |