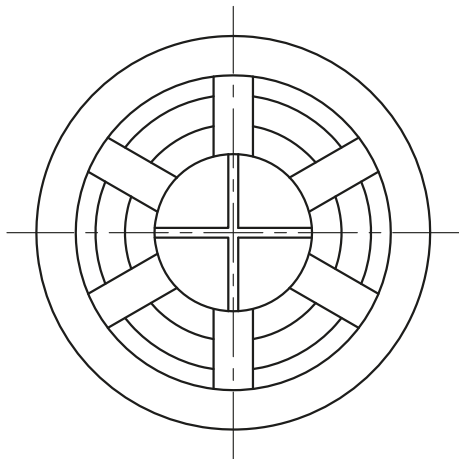
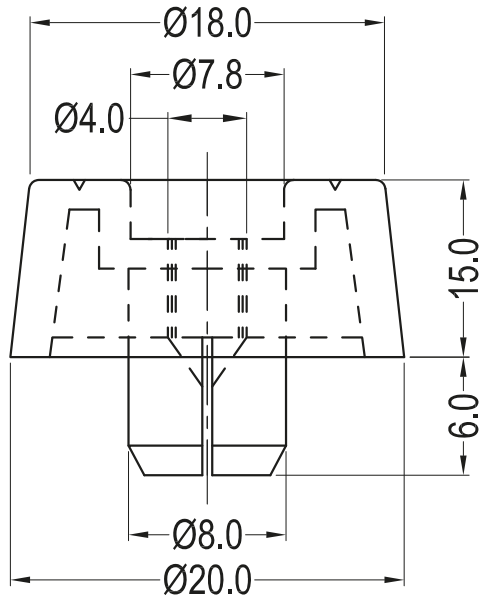


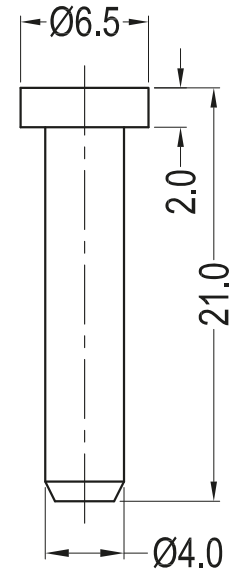
Body



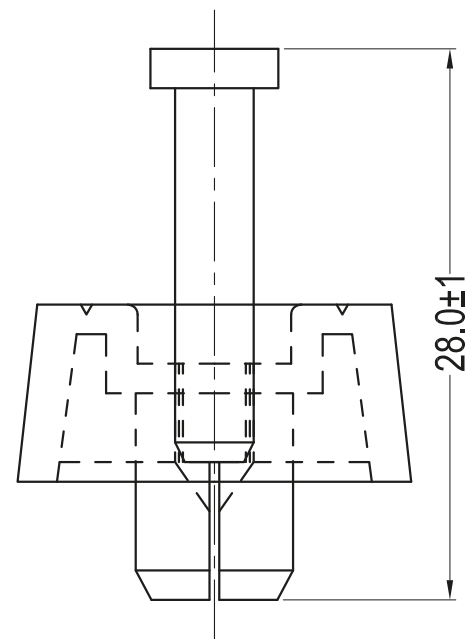
NOTES:

1. Material: TPV UL94 HB (Body)
PP UL94 HB (Pin)
2. RoHS Compliant;
3. Color: Black
4. Hole: \varnothing 7.9-8.0
5. Panel Thickness: 0.8-1.5

Pin



Assembly



VIA C. COLLODI, 4/I
40012 CALDERARA DI RENO (BO) - ITALY
TEL. (+39) 051 6465211 - FAX (+39) 051 6465251
sales@fittings.it - www.fittings.it

DATE	02/07/2018	Dimension	Tolerance
------	------------	-----------	-----------

SCALE	FIT	$L \leq 4$	± 0.10
-------	-----	------------	------------

TITLE	KOFF	MOLD-NO.	S0143/4	DRAW	ZHR	UNIT	MM	$4 < L \leq 15$	± 0.20
PART NO.	9F30072	MAT.	SEE NOTES	DESIGN	ZHR	REV.	A0	$15 < L \leq 50$	± 0.30
DWG NO.	E3021	COLOR	SEE NOTES	APPR.	FDL	VIEW		$50 < L \leq 100$	± 0.40