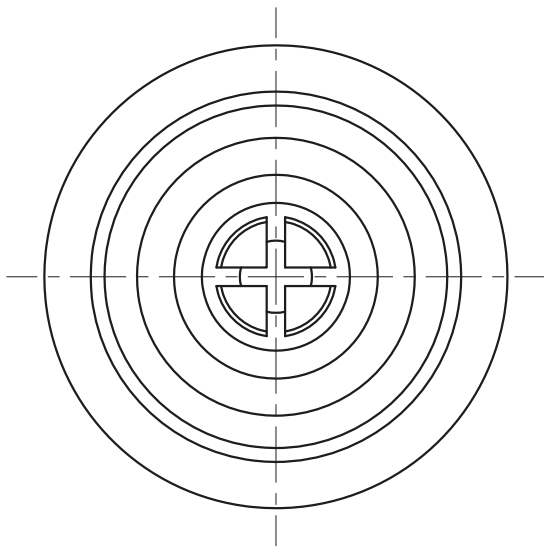
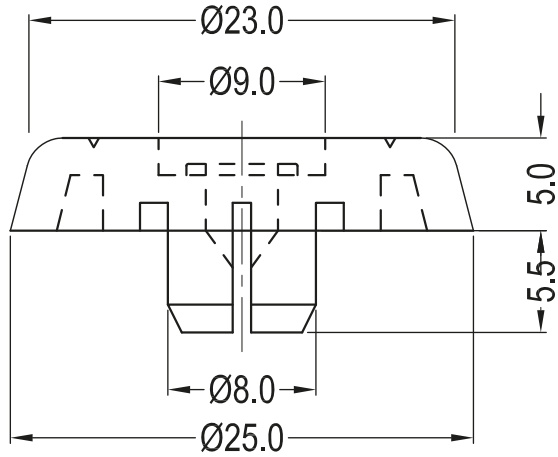
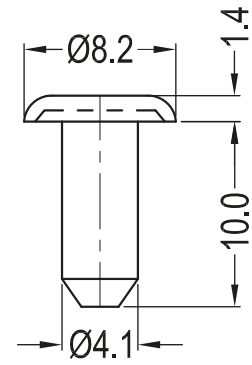


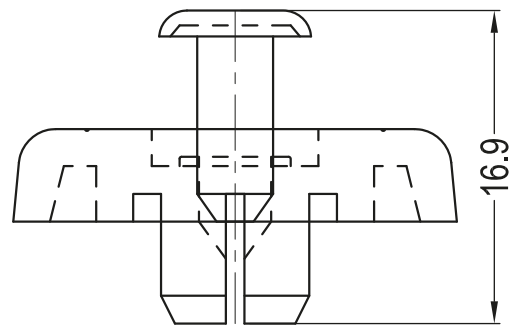
Body



Pin



Assembly



NOTES:

1. Material: PP UL94 HB (Pin)
2. RoHS Compliant;
3. Color: Black
4. Hole: \varnothing 8.0-8.1
5. Panel Thickness: 0.8-1.5

PART NO.	Material Body
9F30064	TPV UL94HB
9F30065	PP UL94HB



VIA C. COLLODI, 4/I
 40012 CALDERARA DI RENO (BO) - ITALY
 TEL. (+39) 051 6465211 - FAX (+39) 051 6465251
 sales@fittings.it - www.fittings.it

DATE	02/07/2018	Dimension		Tolerance	
SCALE	FIT	$L \leq 4$		± 0.10	
UNIT	MM	$4 < L \leq 15$		± 0.20	
REV.	A0	$15 < L \leq 50$		± 0.30	
VIEW		$50 < L \leq 100$		± 0.40	

TITLE	KOFF	MOLD-NO.	S0139/40	DRAW	ZHR
PART NO.	SEE TABLE	MAT.	SEE TABLE	DESIGN	ZHR
DWG NO.	E3018	COLOR	SEE NOTES	APPR.	FDL