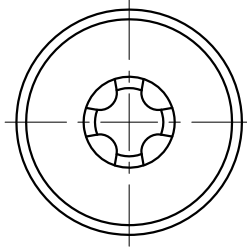
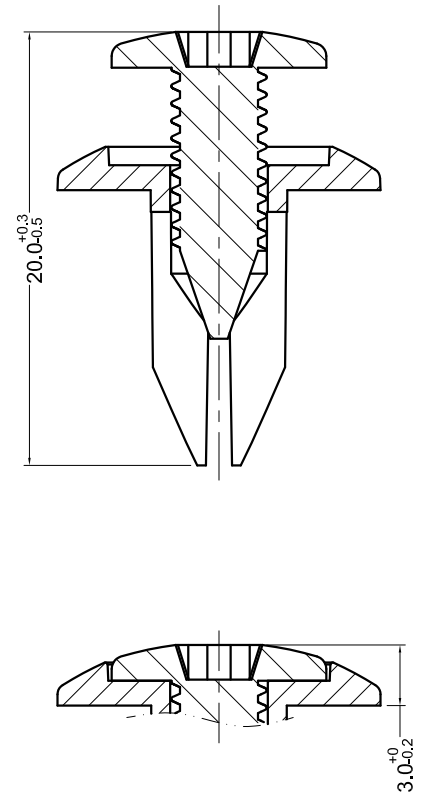
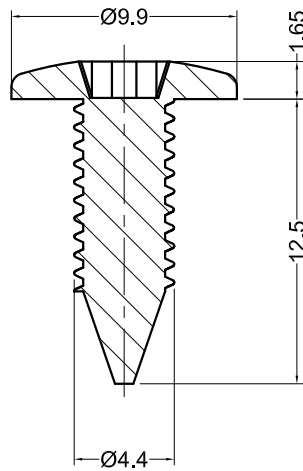
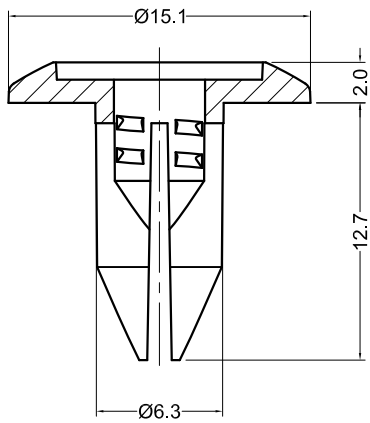


Body



Pin

Assembly Part



NOTES:

- 1, RoHS Compliant;
- 2, Material: PA6 UL94V2
- 2, Hole: $\text{Ø}6.4 \pm 0.08$ mm
- 3, Panel Thickness: 3.2-4.4 mm



VIA C. COLLODI, 4/I
 40012 CALDERARA DI RENO (BO) - ITALY
 TEL. (+39) 051 6465211 - FAX (+39) 051 6465251
 sales@fittings.it - www.fittings-it.com

DATE	18/03/2021	Dimension	Tolerance
------	------------	-----------	-----------

SCALE	FIT	$L \leq 4$	± 0.10
-------	-----	------------	------------

TITLE	USR	MOLD-NO.	S01076/77	DRAW	ZHR	UNIT	MM	$4 < L \leq 15$	± 0.20
PART NO.	9F21351	MAT.	SEE NOTES	DESIGN	ZHR	REV.	A0	$15 < L \leq 50$	± 0.30
DWG NO.	E2313	COLOR	BLACK	APPR.	FDL	VIEW		$50 < L \leq 100$	± 0.40